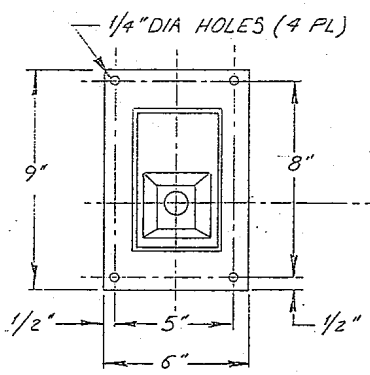
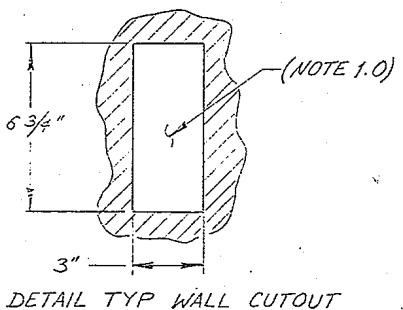
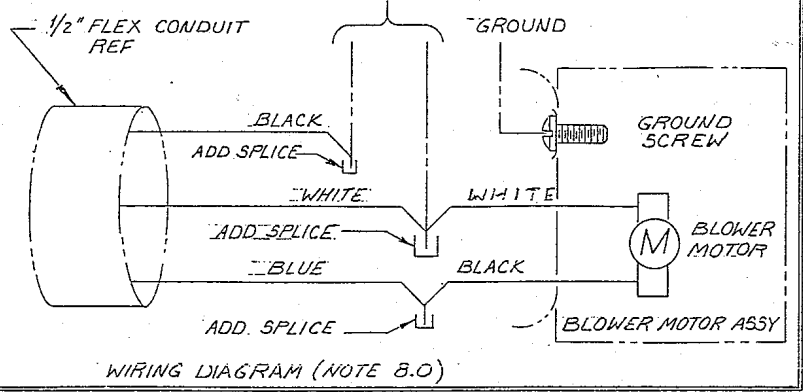
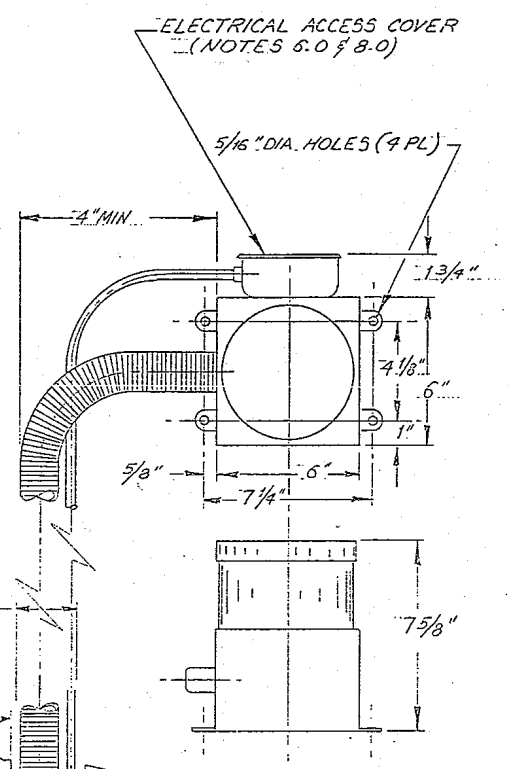


INPUT  
120 VAC - 1Ø - 60.HZ  
8.5 AMP



2 3/8" MIN. DIA (NOTES 1.1 & 2.0)

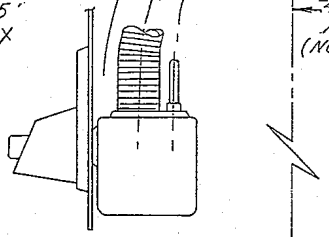
1 7/8" MAX (NOTE 1.1)



4 6" / 5" APPROX

4 7/8" MIN. (NOTE 1.1)

NOTE 3.0



FLOOR LINE

SPECIFICATIONS

- 1.0 NOZZLE \_\_\_\_\_ CAST ALUMINUM, SANDBLAST FINISH AND CLEAR SEALANT.
- 2.0 MOTOR \_\_\_\_\_ UNIVERSAL TYPE; 1/6 HP WITH LUBRICANT BALL BEARINGS 2-STAGE BLOWER AND FILTER.
- 3.0 TIMER \_\_\_\_\_ 30 SECOND TIME TO SHUT OFF AFTER START.
- 4.0 AIR FLOW \_\_\_\_\_ 50 CFM: APPROX.
- 5.0 POWER \_\_\_\_\_ 120 VOLTS, 1 Ø, 60 HZ, 8.5 AMP AC. NO ELECTRIC HEATING COILS.
- 6.0 WEIGHT \_\_\_\_\_ 16 LBS.

NOTES:

- 1.0 PREPARE WALL WITH 3" X 6 3/4" CUTOUT.
- 1.1 NOTE MAXIMUM AND MINIMUM CLEARANCES REQUIRED TO ENABLE ACTUATING NOZZLE AND HOSE ASSEMBLY TO BE MOUNTED IN WALL.
- 2.0 FLEX HOSE AND 1/2" FLEX CONDUIT WILL PASS THRU A 2 3/8" MIN. OPENING.
- 3.0 FISH FLEX HOSE AND 1/2" FLEX CONDUIT THRU HOLE TO APPROXIMATE LOCATION OF BLOWER ASSEMBLY.
- 4.0 SELECT APPROPRIATE HARDWARE TO SECURE NOZZLE TO WALL.
- 5.0 TERMINATE FLEX HOSE ON PLASTIC NOZZLE PROVIDED ON SIDE OF BLOWER HOUSING.
- 6.0 REMOVE ELECTRICAL ACCESS COVER, ROUTE BLACK, WHITE, AND BLUE WIRES THRU CONNECTION PROVIDED IN SIDE OUTLET BOX. SECURE 1/2" FLEX CONDUIT WITH BOX CONNECTOR PROVIDED.
- 7.0 SECURE BLOWER MOTOR WITH APPROPRIATE HARDWARE. BLOWER MOTOR MAY BE MOUNTED VERTICAL, HORIZONTAL, OR INVERTED AS INDIVIDUAL INSTALLATIONS MAY REQUIRE.
- 8.0 ROUTE EXTERNAL POWER TO THE BLOWER MOTOR ASSY. OUTLET BOX AND TERMINATE ALL WIRING PER WIRING DIAGRAM. SECURE COVER ON OUTLET BOX.
- 9.0 TAMPER PROOF MOUNTING HARDWARE FOR NOZZLE ASSEMBLY NOT SUPPLIED WITH UNIT.

CONTROLLED  
DRAWING

| REVISONS (SEE DCN) | DWG | CL   | BY  | DATE    |
|--------------------|-----|------|-----|---------|
| D                  | 71C | 9-20 | RJA |         |
|                    |     |      | DAB | 12/3/71 |
|                    |     |      |     |         |
|                    |     |      |     |         |
|                    |     |      |     |         |

FASTRAIRE  
P.O. Box 9934  
San Diego CA 92169  
Phone or FAX (619) 454-5548

|                               |                           |                      |                                  |                      |
|-------------------------------|---------------------------|----------------------|----------------------------------|----------------------|
| TITLE: <b>OUTLINE DRAWING</b> | DESIGN BY: <b>BRUGLER</b> | DATE: <b>11/3/71</b> | PROJ ENGR: <b>RJA</b>            | DATE:                |
| <b>EXTERIOR WALL MOUNTED</b>  | CHECKED BY:               | DATE:                | DR DRAFTERMAN: <b>A.R. Jones</b> | DATE: <b>9/11/72</b> |
| <b>FASTRAIRE</b>              | DESIGN ENGR:              | DATE:                | APPROVED:                        | DATE:                |
| <b>HAND DRYER</b>             |                           |                      |                                  |                      |

CUSTOMER REF MATL

UNLESS OTHERWISE SPECIFIED  
LIMITS ON DIMENSIONS ARE  
DECIMAL .XX = ± .03  
XXX = ± .010  
ANGULAR ± .75°

SCALE: **1/4"**

DWG: **C** MODEL NO: **HD-04** REV: **D**